

LT01



LT02



LT03



LT06



LT07



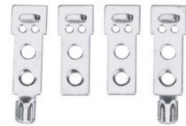
LT08



MC3(内网)



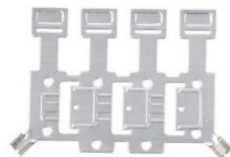
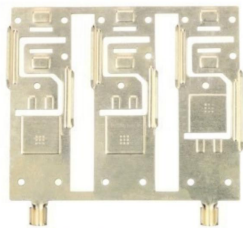
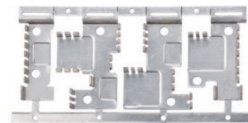
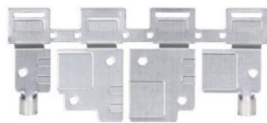
MC4(内网)



LT05

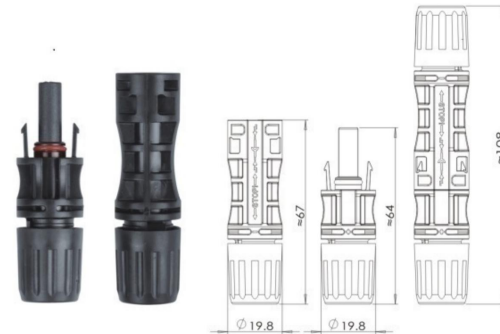
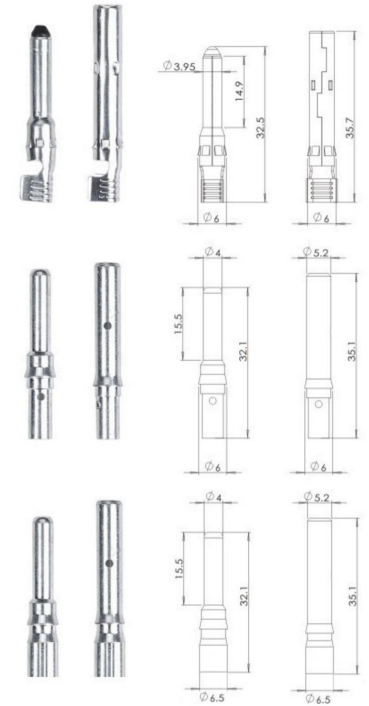


接线端子



接线盒导电片

Solar DC Connector  
PV-LTM5 (30A)  
PV-LTM5-1(50A)  
PV-LTM5-10(60A 10mm<sup>2</sup>)

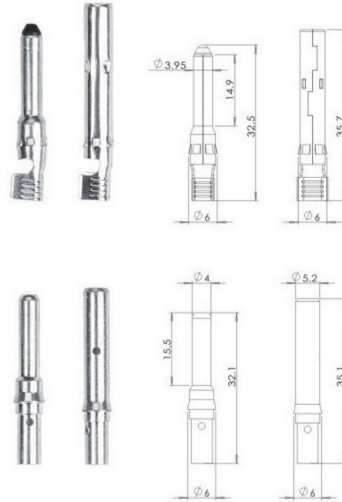
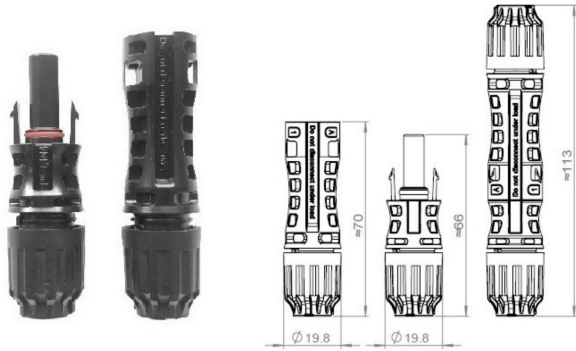


Technical data:

技术参数:

Connector system	金属插头系统	Φ4mm
Rated voltage	额定电压	1500V DC
Rated current	额定电流	30A 60A ( 1.5mm <sup>2</sup> ~10 mm <sup>2</sup> )
Test voltage	测试电压	16 kV
Ambient temperature range	环境温度范围	-40°C...+85°C
Degree of protection,mated	防护等级, 插合状态	IP68
unmated	触模保护, 未插合状态	IP2X
Contact resistance of plug connectors	连接器接触阻抗	≤0.5mΩ
Safety class	安全等级	II
Contact material	端子材料	Messing,verzinnt Copper Alloy,tin plated
Insulation material	绝缘材料	PC/PPE
Locking system	锁紧系统	Snap-in
Flame class	火焰等级	UL-94-V0
Salt mist spray test,degree of severity 5	腐蚀试验等级	IEC 62852

Solar DC Connector  
PV-LTN4 (30A)  
PV-LTN4-1 (50A)

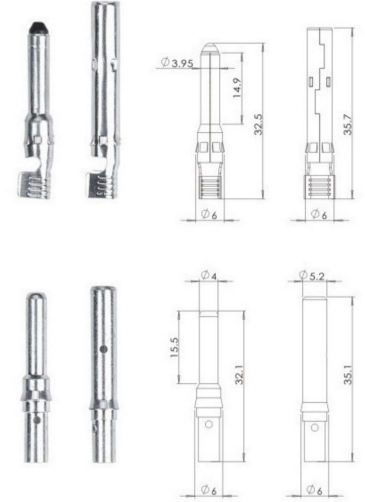
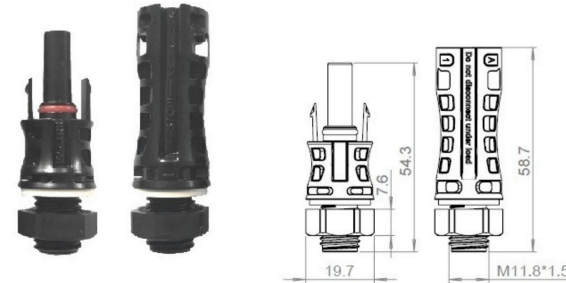


Technical data:

Connector system	金属插头系统	Φ4mm
Rated voltage	额定电压	1500V DC
Rated current	额定电流	30A 50A ( 1.5mm <sup>2</sup> ~6mm <sup>2</sup> )
Test voltage	测试电压	16kV
Ambient temperature range	环境温度范围	-40°C...+85°C
Degree of protection,mated	防护等级, 插合状态	IP68
unmated	触摸保护, 未插合状态	IP2X
Contact resistance of plug connectors	连接器接触阻抗	≤0.5mΩ
Safety class	安全等级	II
Contact material	端子材料	Messing, verzinkt Copper Alloy, tin plated
Insulation material	绝缘材料	PC/PPE
Locking system	锁紧系统	Snap-in
Flame class	火焰等级	UL-94-V0
Salt mist spray test, degree of severity 5	腐蚀试验等级	IEC 62852

技术参数:

Solar DC Connector  
PV-LTN01(30A)  
PV-LTN01-1(50A)

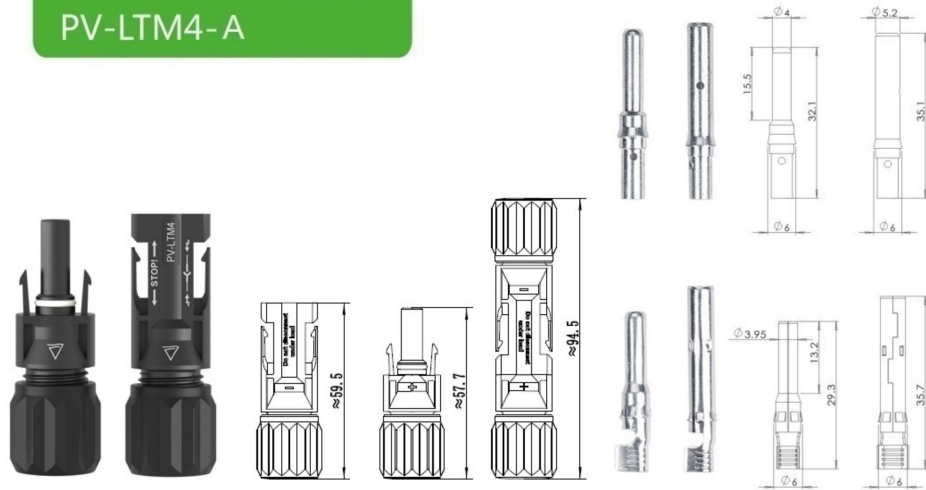


Technical data:

Connector system	金属插头系统	Φ4mm
Rated voltage	额定电压	1500V DC
Rated current	额定电流	30A 50A ( 1.5mm <sup>2</sup> ~6mm <sup>2</sup> )
Test voltage	测试电压	16kV
Ambient temperature range	环境温度范围	-40°C...+85°C
Degree of protection,mated	防护等级, 插合状态	IP68
unmated	触摸保护, 未插合状态	IP2X
Contact resistance of plug connectors	连接器接触阻抗	≤0.5mΩ
Safety class	安全等级	II
Contact material	端子材料	Messing, verzinkt Copper Alloy, tin plated
Insulation material	绝缘材料	PC/PPE
Locking system	锁紧系统	Snap-in
Flame class	火焰等级	UL-94-V0
Salt mist spray test, degree of severity 5	腐蚀试验等级	IEC 62852

技术参数:

Solar DC Connector  
PV-LTM4-A



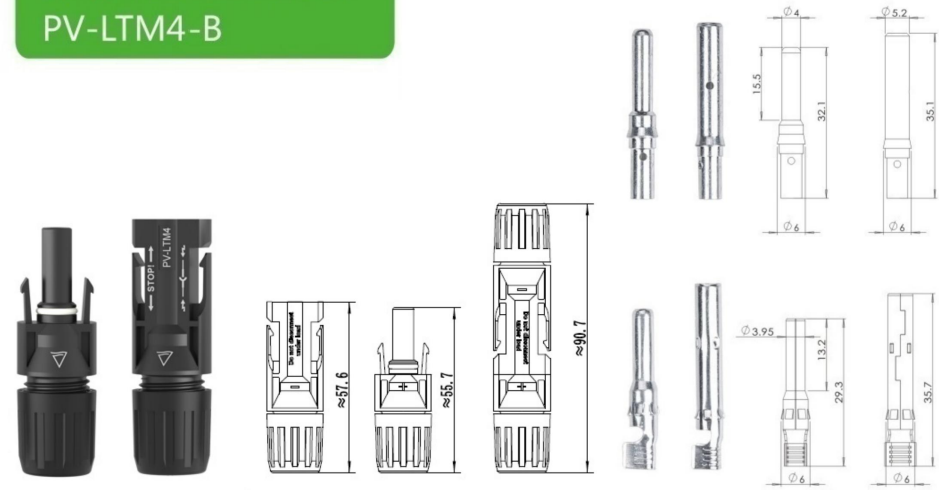
Technical data:

Connector system
Rated voltage
Rated current
Test voltage
Ambient temperature range
Degree of protection,mated
unmated
Contact resistanceof plug connectors
Safetyclass
Contact material
Insulation material
Locking system
Flame class
Salt mist spray test,degree of severity 5

技术参数:

金属插头系统	Φ4mm
额定电压	1000V DC
额定电流	30A 50A ( 1.5mm <sup>2</sup> ~6mm <sup>2</sup> )
测试电压	12kV
环境温度范围	-40°C...+85°C
防护等级, 插合状态	IP68
触摸保护, 未插合状态	IP2X
连接器接触阻抗	≤0.5mΩ
安全等级	II
端子材料	Messing,verzinkt Copper Alloy,tin plated
绝缘材料	PC/PPO
锁紧系统	Snap-in
火焰等级	UL-94-V0
腐蚀试验等级	IEC 62852

Solar DC Connector  
PV-LTM4-B



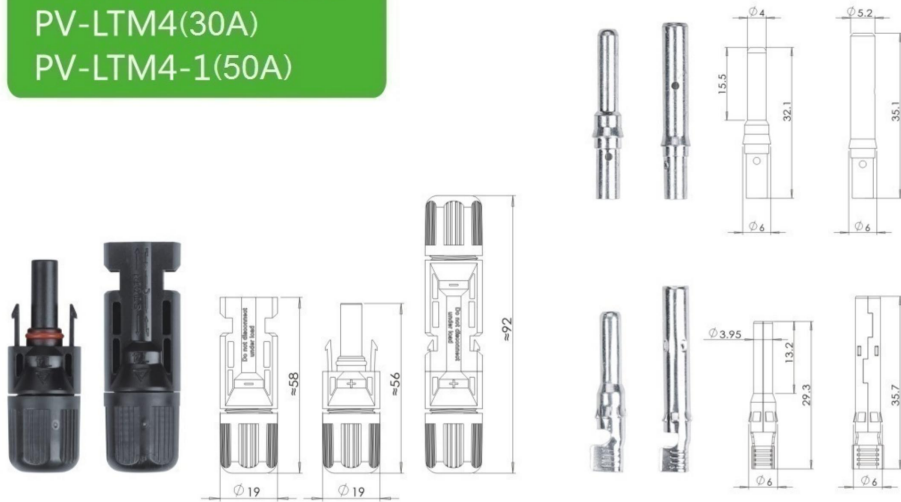
Technical data:

Connector system
Rated voltage
Rated current
Test voltage
Ambient temperature range
Degree of protection,mated
unmated
Contact resistanceof plug connectors
Safetyclass
Contact material
Insulation material
Locking system
Flame class
Salt mist spray test,degree of severity 5

技术参数:

金属插头系统	Φ4mm
额定电压	1000V DC
额定电流	30A 50A ( 1.5mm <sup>2</sup> ~6mm <sup>2</sup> )
测试电压	12kV
环境温度范围	-40°C...+85°C
防护等级, 插合状态	IP68
触摸保护, 未插合状态	IP2X
连接器接触阻抗	≤0.5mΩ
安全等级	II
端子材料	Messing,verzinkt Copper Alloy,tin plated
绝缘材料	PC/PPO
锁紧系统	Snap-in
火焰等级	UL-94-V0
腐蚀试验等级	IEC 62852

Solar DC Connector  
PV-LTM4(30A)  
PV-LTM4-1(50A)



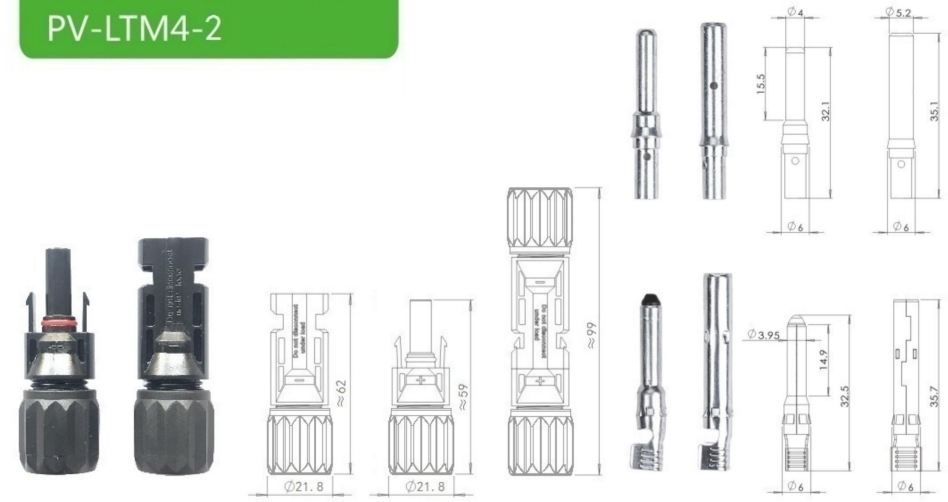
Technical data:

Connector system	金属插头系统	Φ4mm
Rated voltage	额定电压	1000V DC
Rated current	额定电流	30A 50A ( 1.5mm <sup>2</sup> ~6mm <sup>2</sup> )
Test voltage	测试电压	12kV
Ambient temperature range	环境温度范围	-40°C...+85°C
Degree of protection,mated	防护等级, 插合状态	IP68
unmated	触摸保护, 未插合状态	IP2X
Contact resistance of plug connectors	连接器接触阻抗	≤0.5mΩ
Safety class	安全等级	II
Contact material	端子材料	Messing, verzinkt Copper Alloy, tin plated
Insulation material	绝缘材料	PC/PPO
Locking system	锁紧系统	Snap-in
Flame class	火焰等级	UL-94-V0
Salt mist spray test, degree of severity 5	腐蚀试验等级	IEC 62852

技术参数:

Connector system	金属插头系统	Φ4mm
Rated voltage	额定电压	1000V DC
Rated current	额定电流	30A 50A ( 1.5mm <sup>2</sup> ~6mm <sup>2</sup> )
Test voltage	测试电压	12kV
Ambient temperature range	环境温度范围	-40°C...+85°C
Degree of protection,mated	防护等级, 插合状态	IP68
unmated	触摸保护, 未插合状态	IP2X
Contact resistance of plug connectors	连接器接触阻抗	≤0.5mΩ
Safety class	安全等级	II
Contact material	端子材料	Messing, verzinkt Copper Alloy, tin plated
Insulation material	绝缘材料	PC/PPO
Locking system	锁紧系统	Snap-in
Flame class	火焰等级	UL-94-V0
Salt mist spray test, degree of severity 5	腐蚀试验等级	IEC 62852

Solar DC Connector  
PV-LTM4-2



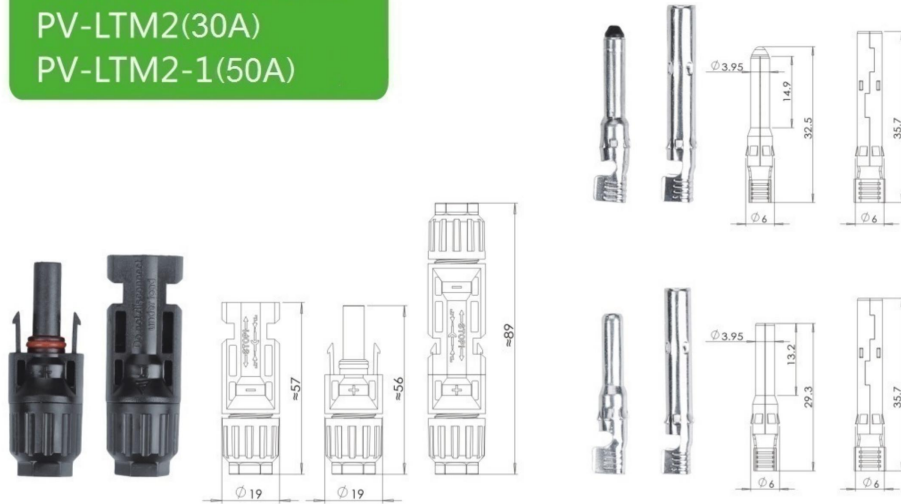
Technical data:

Connector system	金属插头系统	Φ4mm
Rated voltage	额定电压	1000V DC
Rated current	额定电流	30A 50A ( 1.5mm <sup>2</sup> ~6mm <sup>2</sup> )
Test voltage	测试电压	12kV
Ambient temperature range	环境温度范围	-40°C...+85°C
Degree of protection,mated	防护等级, 插合状态	IP68
unmated	触摸保护, 未插合状态	IP2X
Contact resistance of plug connectors	连接器接触阻抗	≤0.5mΩ
Safety class	安全等级	II
Contact material	端子材料	Messing, verzinkt Copper Alloy, tin plated
Insulation material	绝缘材料	PC/PPO
Locking system	锁紧系统	Snap-in
Flame class	火焰等级	UL-94-V0
Salt mist spray test, degree of severity 5	腐蚀试验等级	IEC 62852

技术参数:

Connector system	金属插头系统	Φ4mm
Rated voltage	额定电压	1000V DC
Rated current	额定电流	30A 50A ( 1.5mm <sup>2</sup> ~6mm <sup>2</sup> )
Test voltage	测试电压	12kV
Ambient temperature range	环境温度范围	-40°C...+85°C
Degree of protection,mated	防护等级, 插合状态	IP68
unmated	触摸保护, 未插合状态	IP2X
Contact resistance of plug connectors	连接器接触阻抗	≤0.5mΩ
Safety class	安全等级	II
Contact material	端子材料	Messing, verzinkt Copper Alloy, tin plated
Insulation material	绝缘材料	PC/PPO
Locking system	锁紧系统	Snap-in
Flame class	火焰等级	UL-94-V0
Salt mist spray test, degree of severity 5	腐蚀试验等级	IEC 62852

Solar DC Connector  
PV-LTM2(30A)  
PV-LTM2-1(50A)

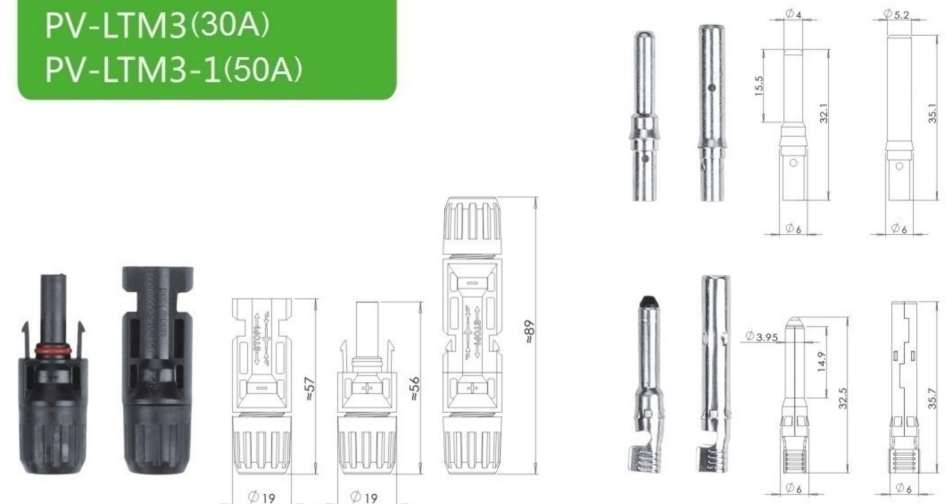


Technical data:

Connector system	金属插头系统	Φ4mm
Rated voltage	额定电压	1000V DC
Rated current	额定电流	30A 50A ( 1.5mm <sup>2</sup> ~6mm <sup>2</sup> )
Test voltage	测试电压	12kV
Ambient temperature range	环境温度范围	-40°C...+85°C
Degree of protection,mated	防护等级, 插合状态	IP68
unmated	触摸保护, 未插合状态	IP2X
Contact resistanceof plug connectors	连接器接触阻抗	≤0.5mΩ
Safetyclass	安全等级	II
Contact material	端子材料	Messing,verzinkt Copper Alloy,tin plated
Insulation material	绝缘材料	PC/PPO
Locking system	锁紧系统	Snap-in
Flame class	火焰等级	UL-94-V0
Salt mist spray test,degree of severity 5	腐蚀试验等级	IEC 62852

技术参数:

Solar DC Connector  
PV-LTM3(30A)  
PV-LTM3-1(50A)



Technical data:

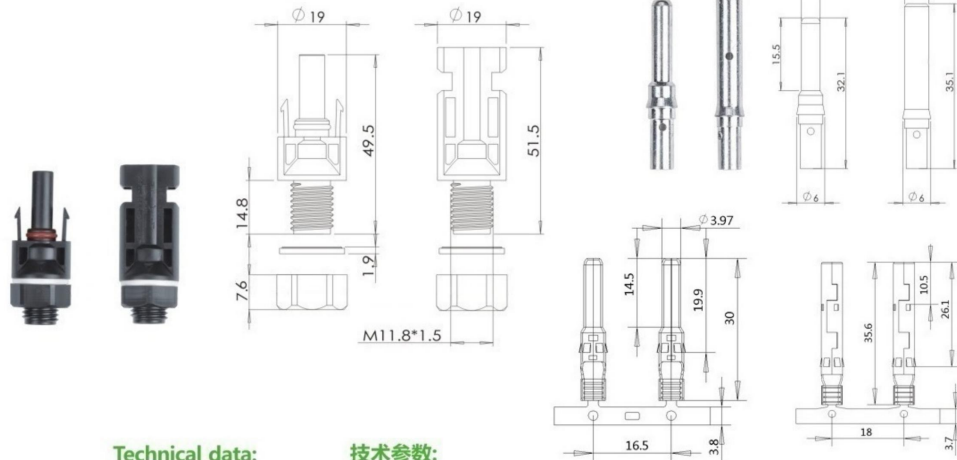
Connector system	金属插头系统	Φ4mm
Rated voltage	额定电压	1000V DC
Rated current	额定电流	30A 50A ( 1.5mm <sup>2</sup> ~6mm <sup>2</sup> )
Test voltage	测试电压	12kV
Ambient temperature range	环境温度范围	-40°C...+85°C
Degree of protection,mated	防护等级, 插合状态	IP68
unmated	触摸保护, 未插合状态	IP2X
Contact resistanceof plug connectors	连接器接触阻抗	≤0.5mΩ
Safetyclass	安全等级	II
Contact material	端子材料	Messing,verzinkt Copper Alloy,tin plated
Insulation material	绝缘材料	PC/PPO
Locking system	锁紧系统	Snap-in
Flame class	火焰等级	UL-94-V0
Salt mist spray test,degree of severity 5	腐蚀试验等级	IEC 62852

技术参数:

# 光伏直流连接器

# 光伏直流连接器

## Solar DC Connector PV-LTM01(30A) PV-LTM01-1(30A连带) PV-LTM01-2(50A)



### Technical data:

Connector system	金属插头系统	$\Phi 4\text{mm}$
Rated voltage	额定电压	1000V DC
Rated current	额定电流	30A 50A ( $1.5\text{mm}^2 \sim 6\text{mm}^2$ )
Test voltage	测试电压	12kV
Ambient temperature range	环境温度范围	$-40^\circ\text{C} \dots +85^\circ\text{C}$
Degree of protection, mated	防护等级, 插合状态	IP68
unmated	触摸保护, 未插合状态	IP2X
Contact resistance of plug connectors	连接器接触阻抗	$\leq 0.5\text{m}\Omega$
Safety class	安全等级	II
Contact material	端子材料	Messing, verzinkt Copper Alloy, tin plated
Insulation material	绝缘材料	PC/PPO
Locking system	锁紧系统	Snap-in
Flame class	火焰等级	UL-94-V0
Salt mist spray test, degree of severity 5	腐蚀试验等级	IEC 62852

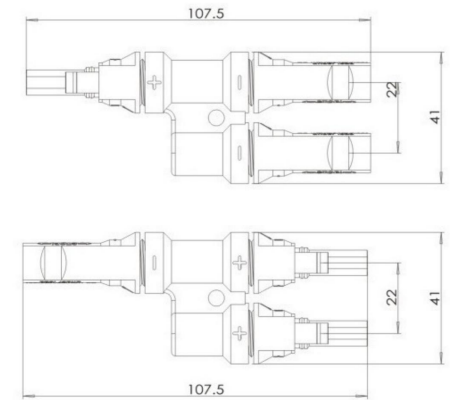
### 技术参数:

## Branch Connector PV-LT2

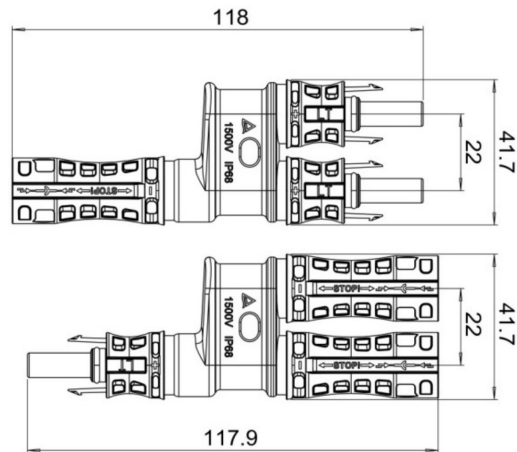


### Technical data

Insulation Material	PPO
Contact Material	Copper, Tin plated
Suitable Current	50A
Rated Voltage	1500V
Test Voltage	16kV
Contact Resistance	$< 0.5\text{m}\Omega$
Degree Of Protection	IP 68
Ambient Temperature Range	$-40^\circ\text{C} \sim +85^\circ\text{C}$
Flame Class	UL 94-V0
Safety Class	II
Pin Dimensions	$\Phi 4\text{mm}$



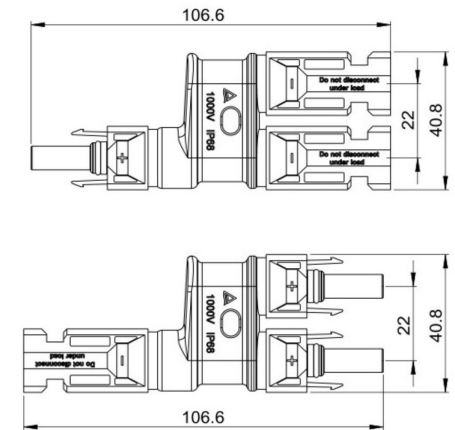
Branch Connector  
PV-LT2-A



Technical data

Insulation Material	PPO
Contact Material	Copper, Tin plated
Suitable Current	50A
Rated Voltage	1500V
Test Voltage	16KV
Contact Resistance	< 0.5mΩ
Degree Of Protection	IP68
Ambient Temperature Range	-40°C ~ +85°C
Flame Class	UL 94-V0
Safety Class	II
Pin Dimensions	Φ4mm

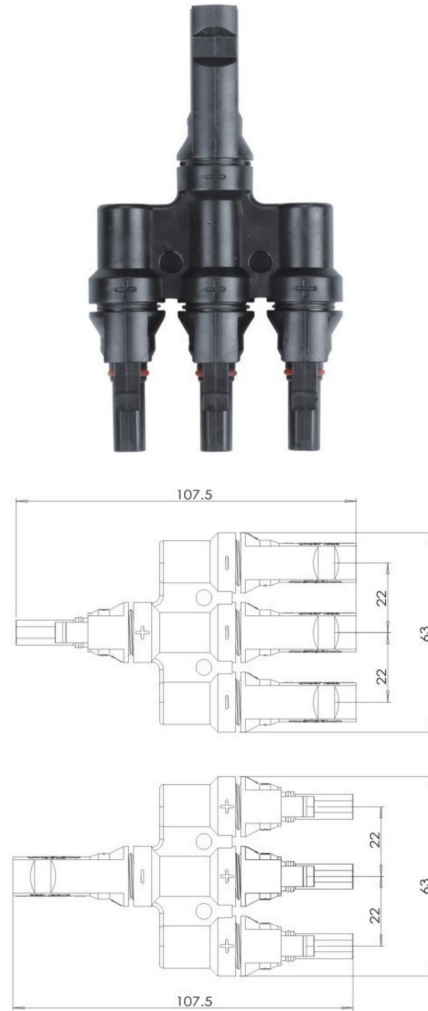
Branch Connector  
PV-LT2-B



Technical data

Insulation Material	PPO
Contact Material	Copper, Tin plated
Suitable Current	50A
Rated Voltage	1500V
Test Voltage	16KV
Contact Resistance	< 0.5mΩ
Degree Of Protection	IP68
Ambient Temperature Range	-40°C ~ +85°C
Flame Class	UL 94-V0
Safety Class	II
Pin Dimensions	Φ4mm

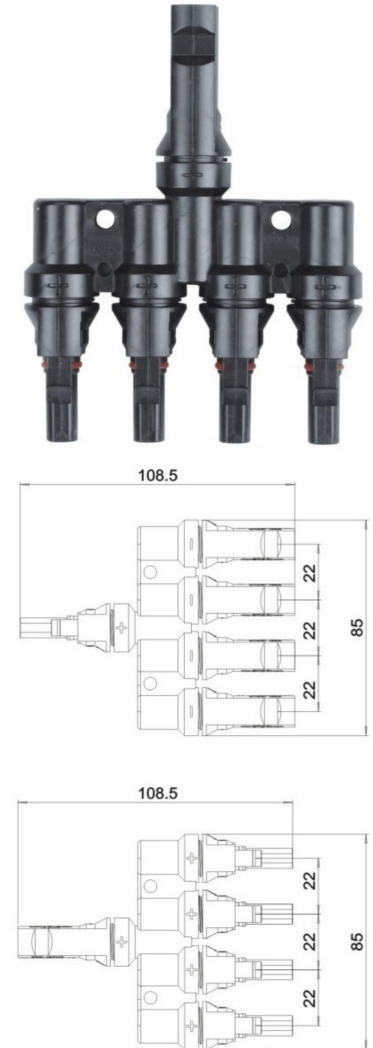
Branch Connector  
PV-LT3



Technical data

Insulation Material	PPO
Contact Material	Copper, Tin plated
Suitable Current	50A
Rated Voltage	1500V
Test Voltage	16KV
Contact Resistance	< 0.5mΩ
Degree Of Protection	IP68
Ambient Temperature Range	-40°C - +85°C
Flame Class	UL 94-V0
Safety Class	II
Pin Dimensions	Φ4mm

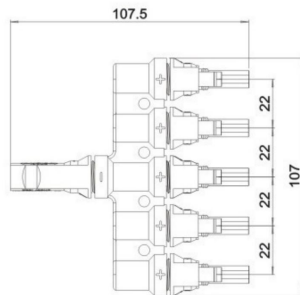
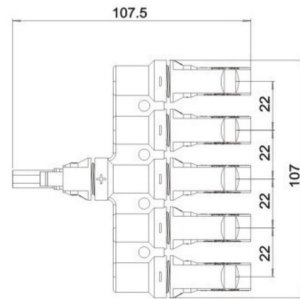
Branch Connector  
PV-LT4



Technical data

Insulation Material	PPO
Contact Material	Copper, Tin plated
Suitable Current	50A
Rated Voltage	1500V
Test Voltage	16KV
Contact Resistance	< 0.5mΩ
Degree Of Protection	IP68
Ambient Temperature Range	-40°C - +85°C
Flame Class	UL 94-V0
Safety Class	II
Pin Dimensions	Φ4mm

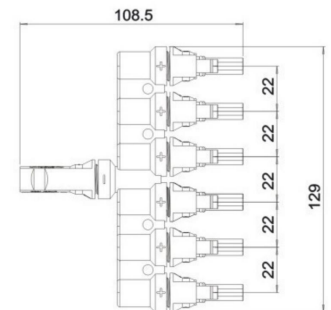
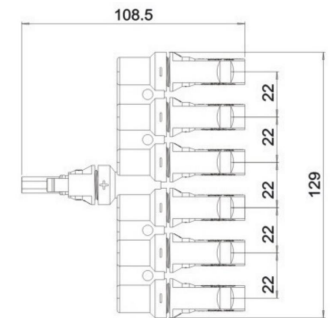
Branch Connector  
PV-LT5



Technical data

Insulation Material	PPO
Contact Material	Copper, Tin plated
Suitable Current	50A
Rated Voltage	1500V
Test Voltage	16KV
Contact Resistance	< 0.5mΩ
Degree Of Protection	IP68
Ambient Temperature Range	-40°C ~ +85°C
Flame Class	UL 94-V0
Safety Class	II
Pin Dimensions	Φ4mm

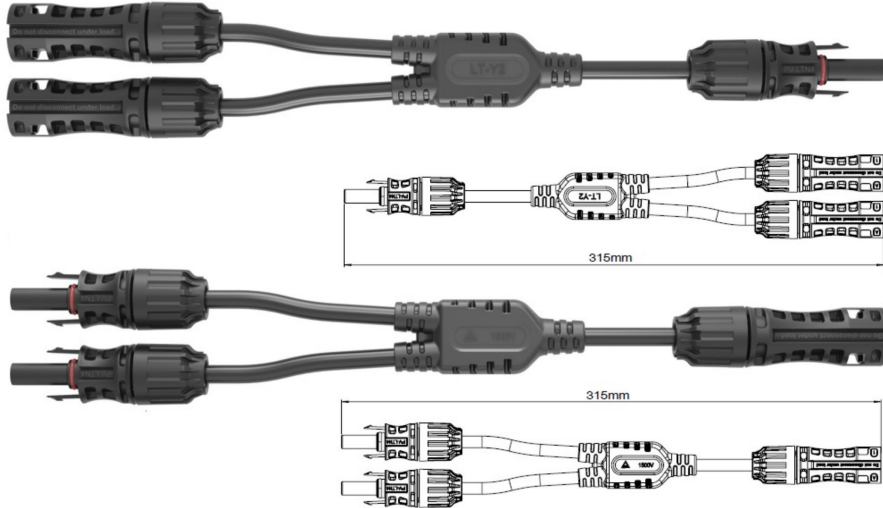
Branch Connector  
PV-LT6



Technical data

Insulation Material	PPO
Contact Material	Copper, Tin plated
Suitable Current	50A
Rated Voltage	1500V
Test Voltage	16KV
Contact Resistance	< 0.5mΩ
Degree Of Protection	IP68
Ambient Temperature Range	-40°C ~ +85°C
Flame Class	UL 94-V0
Safety Class	II
Pin Dimensions	Φ4mm

Branch Cable  
LT-Y2



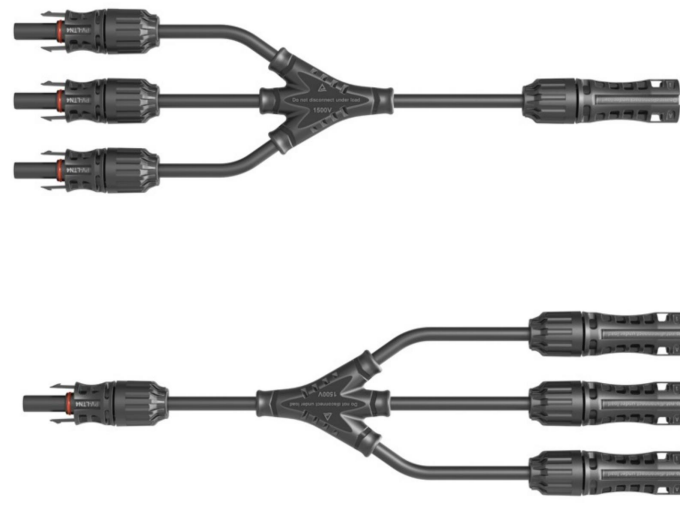
Technical data:

Connector system	金属插头系统	Φ4mm/ Φ6mm
Rated voltage	额定电压	1500V DC
Rated current	额定电流	30A - 50A
Test voltage	测试电压	16kV
Ambient temperature range	环境温度范围	-40°C...+90°C
Degree of protection,mated	防护等级, 插合状态	Ip67
unmated	触摸保护, 未插合状态	IP2X
Contact resistanceof plug connectors	连接器接触阻抗	≤0.5mΩ
Safetyclass	安全等级	II
Contact material	端子材料	Messing,verzinkt Copper Alloy,tin plated
Insulation material	绝缘材料	PC/PPO
Locking system	锁紧系统	Snap-in
Flame class	火焰等级	UL-94-V0
Salt mist spray test,degree of severity 5	腐蚀试验等级	IEC 62852

技术参数:

金属插头系统	Φ4mm/ Φ6mm
额定电压	1500V DC
额定电流	30A - 50A
测试电压	16kV
环境温度范围	-40°C...+90°C
防护等级, 插合状态	Ip67
触摸保护, 未插合状态	IP2X
连接器接触阻抗	≤0.5mΩ
安全等级	II
端子材料	Messing,verzinkt Copper Alloy,tin plated
绝缘材料	PC/PPO
锁紧系统	Snap-in
火焰等级	UL-94-V0
腐蚀试验等级	IEC 62852

Branch Cable  
LT-Y3

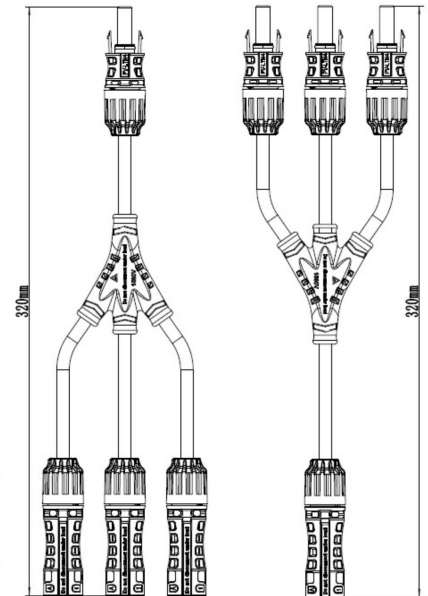


Technical data:

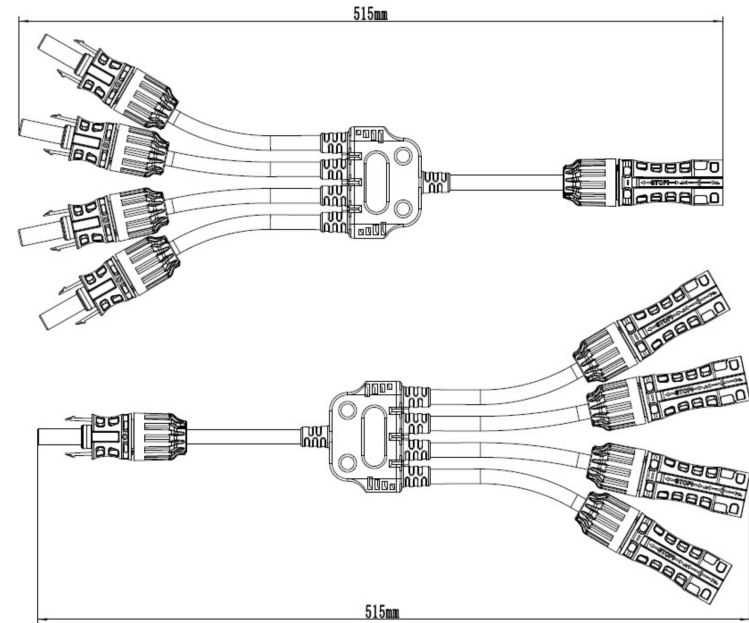
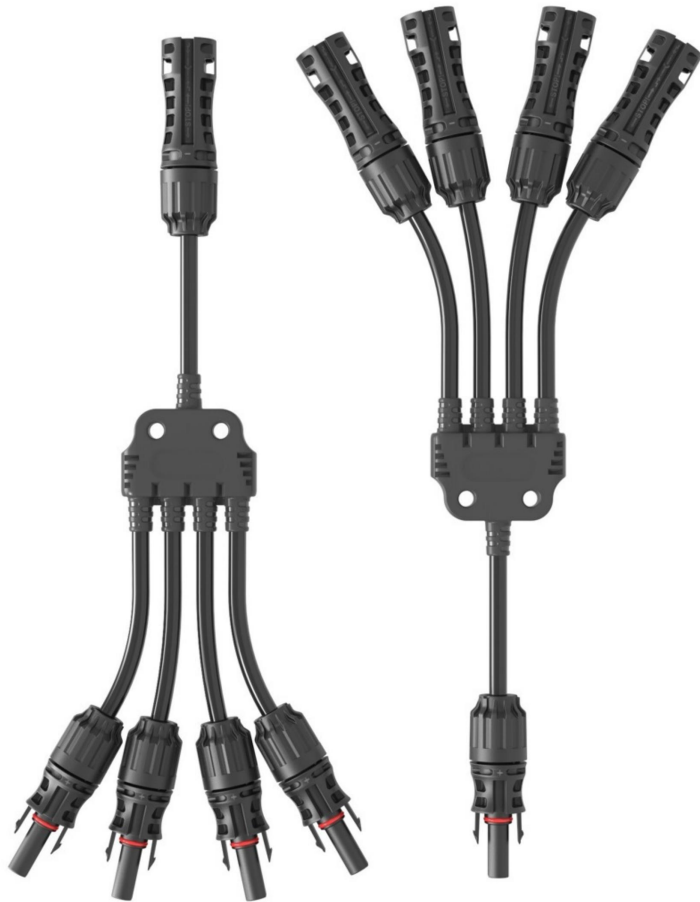
Connector system	金属插头系统	Φ4mm/ Φ6mm
Rated voltage	额定电压	1500V DC
Rated current	额定电流	30A - 50A
Test voltage	测试电压	16kV
Ambient temperature range	环境温度范围	-40°C...+90°C
Degree of protection,mated	防护等级, 插合状态	Ip67
unmated	触摸保护, 未插合状态	IP2X
Contact resistanceof plug connectors	连接器接触阻抗	≤0.5mΩ
Safetyclass	安全等级	II
Contact material	端子材料	Messing,verzinkt Copper Alloy,tin plated
Insulation material	绝缘材料	PC/PPO
Locking system	锁紧系统	Snap-in
Flame class	火焰等级	UL-94-V0
Salt mist spray test,degree of severity 5	腐蚀试验等级	IEC 62852

技术参数:

金属插头系统	Φ4mm/ Φ6mm
额定电压	1500V DC
额定电流	30A - 50A
测试电压	16kV
环境温度范围	-40°C...+90°C
防护等级, 插合状态	Ip67
触摸保护, 未插合状态	IP2X
连接器接触阻抗	≤0.5mΩ
安全等级	II
端子材料	Messing,verzinkt Copper Alloy,tin plated
绝缘材料	PC/PPO
锁紧系统	Snap-in
火焰等级	UL-94-V0
腐蚀试验等级	IEC 62852



Branch Cable  
LT-Y4

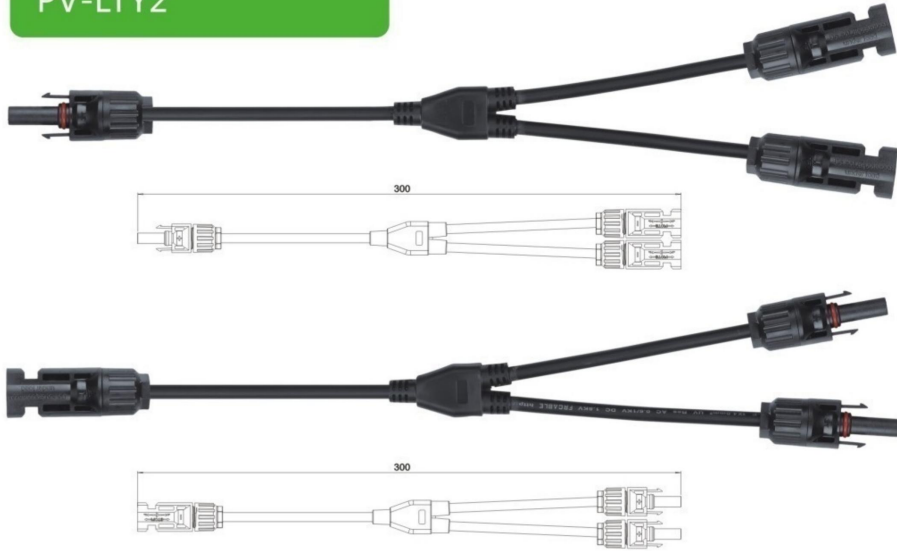


Technical data:

技术参数:

Connector system	金属插头系统	Φ4mm/ Φ6mm
Rated voltage	额定电压	1500V DC
Rated current	额定电流	30A - 50A
Test voltage	测试电压	16kV
Ambient temperature range	环境温度范围	-40°C...+90°C
Degree of protection,mated	防护等级, 插合状态	Ip67
unmated	触摸保护, 未插合状态	IP2X
Contact resistance of plug connectors	连接器接触阻抗	≤0.5mΩ
Safety class	安全等级	II
Contact material	端子材料	Messing, verzinkt Copper Alloy, tin plated
Insulation material	绝缘材料	PC/PPO
Locking system	锁紧系统	Snap-in
Flame class	火焰等级	UL-94-V0
Salt mist spray test, degree of severity 5	腐蚀试验等级	IEC 62852

Branch Cable  
PV-LTY2



Technical data:

Connector system	金属插头系统	Φ4mm
Rated voltage	额定电压	1000V DC
Rated current	额定电流	30A
Test voltage	测试电压	12kV
Ambient temperature range	环境温度范围	-40°C...+90°C
Degree of protection,mated	防护等级, 插合状态	Ip67
unmated	触摸保护, 未插合状态	IP2X
Contact resistanceof plug connectors	连接器接触阻抗	≤0.5mΩ
Safetyclass	安全等级	II
Contact material	端子材料	Messing,verzinnt Copper Alloy,tin plated
Insulation material	绝缘材料	PC/PPO
Locking system	锁紧系统	Snap-in
Flame class	火焰等级	UL-94-V0
Salt mist spray test,degree of severity 5	腐蚀试验等级	IEC 62852

技术参数:

金属插头系统	Φ4mm
额定电压	1000V DC
额定电流	30A
测试电压	12kV
环境温度范围	-40°C...+90°C
防护等级, 插合状态	Ip67
触摸保护, 未插合状态	IP2X
连接器接触阻抗	≤0.5mΩ
安全等级	II
端子材料	Messing,verzinnt Copper Alloy,tin plated
绝缘材料	PC/PPO
锁紧系统	Snap-in
火焰等级	UL-94-V0
腐蚀试验等级	IEC 62852

Branch Cable  
PV-LTY2-1



Technical data:

Connector system	金属插头系统	Φ6mm
Rated voltage	额定电压	1500V DC
Rated current	额定电流	30A - 50A
Test voltage	测试电压	16kV
Ambient temperature range	环境温度范围	-40°C...+90°C
Degree of protection,mated	防护等级, 插合状态	Ip67
unmated	触摸保护, 未插合状态	IP2X
Contact resistanceof plug connectors	连接器接触阻抗	≤0.5mΩ
Safetyclass	安全等级	II
Contact material	端子材料	Messing,verzinnt Copper Alloy,tin plated
Insulation material	绝缘材料	PC/PPO
Locking system	锁紧系统	Snap-in
Flame class	火焰等级	UL-94-V0
Salt mist spray test,degree of severity 5	腐蚀试验等级	IEC 62852

技术参数:

金属插头系统	Φ6mm
额定电压	1500V DC
额定电流	30A - 50A
测试电压	16kV
环境温度范围	-40°C...+90°C
防护等级, 插合状态	Ip67
触摸保护, 未插合状态	IP2X
连接器接触阻抗	≤0.5mΩ
安全等级	II
端子材料	Messing,verzinnt Copper Alloy,tin plated
绝缘材料	PC/PPO
锁紧系统	Snap-in
火焰等级	UL-94-V0
腐蚀试验等级	IEC 62852

Branch Cable  
PV-LTY3



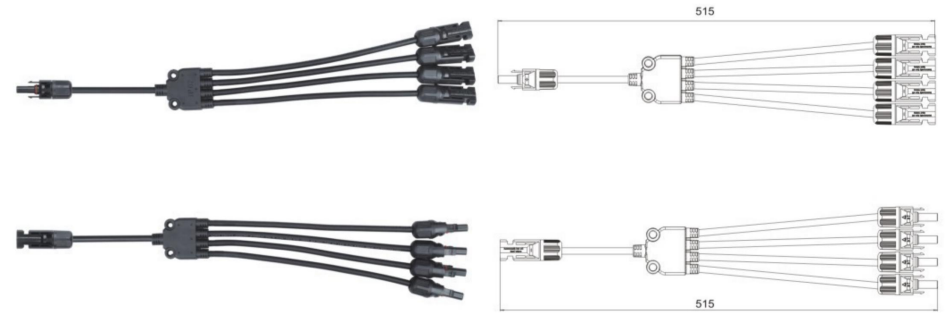
Technical data:

Connector system
Rated voltage
Rated current
Test voltage
Ambient temperature range
Degree of protection,mated
unmated
Contact resistanceof plug connectors
Safetyclass
Contact material
Insulation material
Locking system
Flame class
Salt mist spray test,degree of severity 5

技术参数:

金属插头系统	Φ4mm
额定电压	1000V DC
额定电流	30A
测试电压	12kV
环境温度范围	-40°C...+90°C
防护等级, 插合状态	Ip67
触摸保护, 未插合状态	IP2X
连接器接触阻抗	≤0.5mΩ
安全等级	II
端子材料	Messing,verzinkt Copper Alloy,tin plated
绝缘材料	PC/PPO
锁紧系统	Snap-in
火焰等级	UL-94-V0
腐蚀试验等级	IEC 62852

Branch Cable  
PV-LTY4



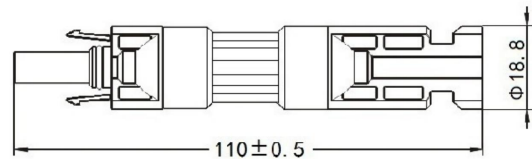
Technical data:

Connector system
Rated voltage
Rated current
Test voltage
Ambient temperature range
Degree of protection,mated
unmated
Contact resistanceof plug connectors
Safetyclass
Contact material
Insulation material
Locking system
Flame class
Salt mist spray test,degree of severity 5

技术参数:

金属插头系统	Φ4mm
额定电压	1000V DC
额定电流	30A
测试电压	12kV
环境温度范围	-40°C...+90°C
防护等级, 插合状态	Ip67
触摸保护, 未插合状态	IP2X
连接器接触阻抗	≤0.5mΩ
安全等级	II
端子材料	Messing,verzinkt Copper Alloy,tin plated
绝缘材料	PC/PPO
锁紧系统	Snap-in
火焰等级	UL-94-V0
腐蚀试验等级	IEC 62852

Solar DC Connector  
PV-LTME01

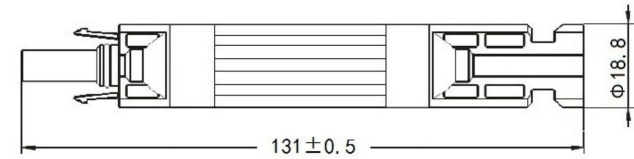


Technical data:

Connector system	金属插头系统	Φ4mm
Rated voltage	额定电压	1000V DC
Rated current	额定电流	10A 15A 20A
Test voltage	测试电压	12kV
Ambient temperature range	环境温度范围	-40°C...+85°C
Degree of protection,mated	防护等级, 插合状态	IP68
unmated	触摸保护, 未插合状态	IP2X
Contact resistanceof plug connectors	连接器接触阻抗	≤0.5mΩ
Safetyclass	安全等级	II
Contact material	端子材料	Messing,verzinnt Copper Alloy,tin plated
Insulation material	绝缘材料	PC/PPO
Locking system	锁紧系统	Snap-in
Flame class	火焰等级	UL-94-V0
Salt mist spray test,degree of severity 5	腐蚀试验等级	IEC 62852

技术参数:

Solar DC Connector  
PV-LTMB01

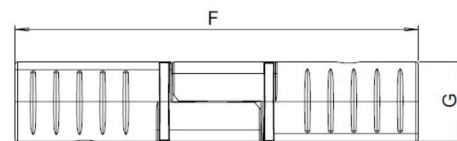
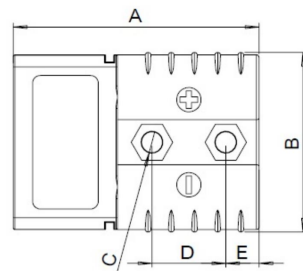


Technical data:

Connector system	金属插头系统	Φ4mm
Rated voltage	额定电压	1000V DC
Rated current	额定电流	10A 15A 20A 30A
Test voltage	测试电压	12kV
Ambient temperature range	环境温度范围	-40°C...+85°C
Degree of protection,mated	防护等级, 插合状态	IP68
unmated	触摸保护, 未插合状态	IP2X
Contact resistanceof plug connectors	连接器接触阻抗	≤0.5mΩ
Safetyclass	安全等级	II
Contact material	端子材料	Messing,verzinnt Copper Alloy,tin plated
Insulation material	绝缘材料	PC/PPO
Locking system	锁紧系统	Snap-in
Flame class	火焰等级	UL-94-V0
Salt mist spray test,degree of severity 5	腐蚀试验等级	IEC 62852

技术参数:

新能源充电插头  
50A 120A 175A 350A



技术规格	技术参数			
额定电流	50A	120A	175A	350A
额定电压	600V	600V	600V	600V
端子材料	紫铜镀银	紫铜镀银	紫铜镀银	紫铜镀银
外壳材料	PC 阻燃	PC 阻燃	PC 阻燃	PC 阻燃
阻燃等级	UL 94-V0	UL 94-V0	UL 94-V0	UL 94-V0
使用温度 (°C)	-20°C~105°C	-20°C~105°C	-20°C~105°C	-20°C~105°C
接线尺寸 (美标)	14AWG~6AWG	8AWG~4AWG	6AWG~1/0AWG	4AWG~2/0AWG
接线尺寸 (国标)	2mm <sup>2</sup> ~16mm <sup>2</sup>	10mm <sup>2</sup> ~25mm <sup>2</sup>	16mm <sup>2</sup> ~50mm <sup>2</sup>	25mm <sup>2</sup> ~70mm <sup>2</sup>

规格型号	尺寸参数 (mm)						
	A	B	C	D	E	F	G
50A	48.1	36.4	Φ3.4	19	6.3	81.7	16
120A	63.6	46.4	Φ5.4	19.1	8.6	104.4	20.5
175A	79.8	55	Φ6.6	28.7	7.8	133.8	25.5
350A	108.2	70	Φ6.2	27.5	35	183.2	33

加工定制  
2.5m<sup>2</sup> 4m<sup>2</sup> 6m<sup>2</sup>

延长线加工定制  
2.5m<sup>2</sup> 4m<sup>2</sup> 6m<sup>2</sup>

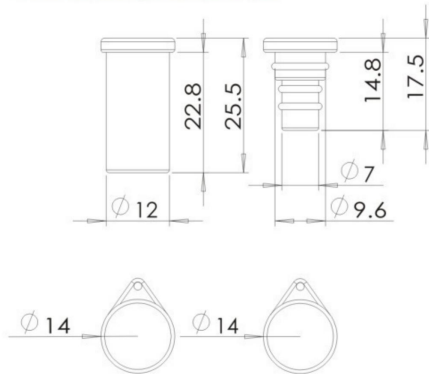


PV Cable   RoHS

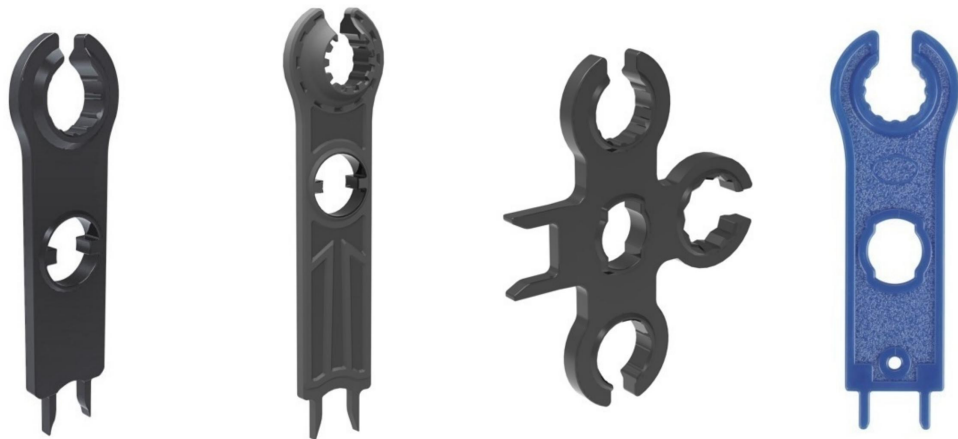
Protection caps 防尘罩  
PV-LT008



Material Rubber  
Ambient temperature range -40°C~+90°C



Tow-set spanners 安装扳手  
PV-LT006



PV-LTM5(1500V)

PV-LTN4(1500V)

PV-LTM2/M4(1000V)

PV-LTM2(1000V)

Crimping Tool 压线钳  
PV-LT001



MAIN SPECOLITY

Suitable for crimping the cable of 2.5~6.0mm<sup>2</sup> ( AWG10-14 )

Suitable for solar system installation site,flexible application

Crimping Tool 压线钳  
PV-LT002



MAIN SPECIOALITY

Suitable for crimping the cable of 2.5~6.0mm<sup>2</sup> ( AWG10-14 )  
Suitable for solar system installation site,flexible application

Crimping Tool 压线钳  
PV-LT003



MAIN SPECOALITY

Suitable for crimping the cable of 2.5~6.0mm<sup>2</sup> ( AWG10-14 )  
Suitable for solar system installation site,flexible application

Stripping Tool 剥线钳  
PV-LT005



MAIN SPECOALITY

Suitable for crimping the cable of 2.5~6.0mm<sup>2</sup> ( AWG10-14 )  
Suitable for solar system installation site,flexible application